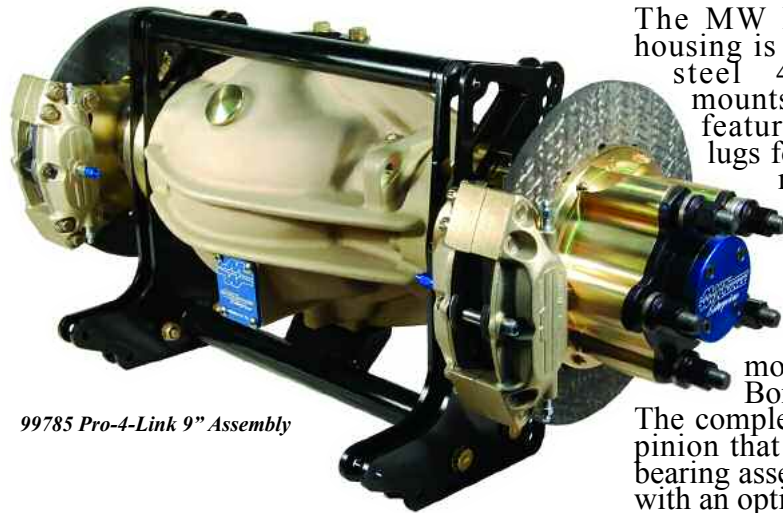


9" PRO 4-LINK

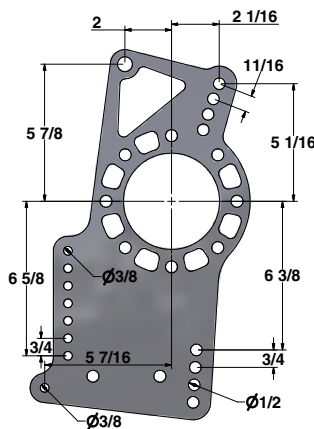


99785 Pro-4-Link 9" Assembly

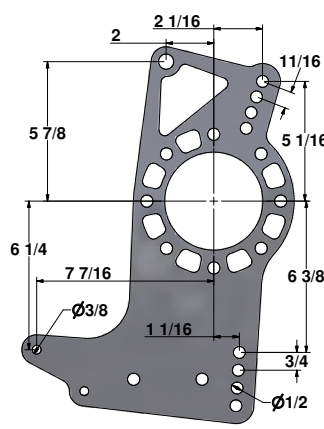
The MW Modular 9" 4-link housing is available with 4130 steel 4-link suspension mounts. The steel brackets feature the key alignment lugs for extra strength. The result is a 17-1/4" 4-link center distance plus the added durability of steel brackets. Available with coil over spring mounts, that are fixed or adjustable with aluminum shock mounting brackets. Housings accept the 4.00" Bore MW thirdmembers without modifications. The complete rears are available with the 10" ring and pinion that can include the 100% angular contact ball bearing assembly. 4-link centers can be as narrow as 16" with an optional modified center housing.



90039 Coil Over Shock Mount



90041 ADJUSTABLE MOUNT BRACKET



90043 FIXED MOUNT BRACKET



98780 Floater Housing 17-1/4" 4-Link centers

9" MODULAR PRO STEEL 4-LINK HOUSINGS

96780 Mod Steel 4-Link Flange Axle Housing . . .3500.00
 Modular housing, Fixed 4130 steel brackets 34" wheel to wheel, 17-1/4" 4-link centers for flange type axles. See chart on page 53 wheel to wheel widths.(Other widths available with extra charge).

98780 Mod Steel 4-Link Full Floater Housing . . .4106.00
 Modular Floater housing, 1/4" 4340 fixed 4-link brackets, 34 5/8" wheel to wheel, 17-1/4" 4-link centers for Full Floater kit. Call for other other 4 link centers and wheel widths. (Other widths available with extra charge)

9" MODULAR PRO STEEL 4-LINK ASSEMBLIES

97780 Complete Steel 4-Link Flange Rear9188.00
 4.00 bore H-D aluminum thirdmember all ball bearings with 40 spline steel spool, 10" Pro-gears, 50500 gun drilled 40 spline flange axles, MW brakes with lightened rotors, 34" wheel to wheel with 17-1/4" Steel 4 link centers standard. (Other widths available at extra charge)

99780 Complete Modular 4-Link Floater Rear . . .10,388.00
 4.00 bore H-D aluminum thirdmember with 40 spline steel spool, 10" Pro-gears, gun drilled 40 spline floater axles, Steel disc brakes with lightened rotors, 34-5/8" wheel to wheel with 17-1/4" Steel 4 link centers standard. (Other widths available at extra charge)

97785 Complete Steel 4-Link Flange Rear11,818.00
 Same as 97780 but with MW carbon/carbon brakes.

99785 Complete Modular 4-Link Rear13,018.00
 Same as 99780 but with MW carbon/carbon brakes.

90039 Adjustable Coil Over Shock Mounts brackets and mounts add \$125.00

toll free
800-525-1963

on the web
www.markwilliams.com