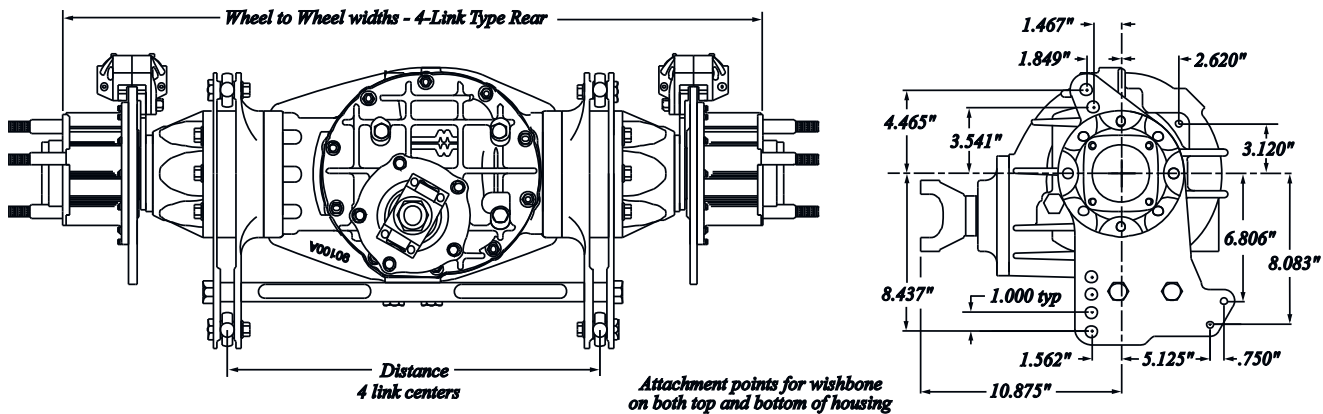


97000 Pro-4-Link 9" Assembly

The MW Modular 9" Pro 4-link housing is an outstanding choice for the suspended rear racecar. All 4 link brackets are CNC machined from 7075 aircraft alloy aluminum. The layout of the 4-link attachment points is the same as used by the leading pro stock chassis builders.

Units are available in both floater and flange type axle configurations. Unique design features include indexing lugs on each 4-link bracket that positively lock inner and outer brackets to each other and to the housing. This insures perfect alignment of all components and eliminates the possibility of the housing and thirdmember shifting between the brackets. To further strengthen the assembly, aluminum cross tie bar is used to secure the 4-link brackets to the bottom of the housing. The housing also has provisions for either upper or lower wishbone attachment along with shock and wheelie bar mounts. Holes in the 4-link brackets accommodate rod ends with 5/8" cross-holes. Standard housing has a 37" wheel-to-wheel width and 20" 4 link centers. Others widths are available (see charts on page 53 & 54).



## 9" MODULAR PRO 4-LINK HOUSINGS

96000 Mod 4-Link Flange Axle Housing . . . . .3728.00  
Modular housing, aluminum 4-link brackets 37" wheel to wheel, 20" 4-link centers for flange type axles. See chart on page 52 for other 4 link centers and wheel to wheel widths. (Other widths available with extra charge).

98700 Mod 4-Link Full Floater Housing . . . . .4088.00  
Modular Floater housing, aluminum 4-link brackets, 36-5/8" wheel to wheel, 20" 4-link centers for Full Floater kit. Call for other other 4 link centers and wheel widths. (Other widths available with extra charge)

## 9" MODULAR PRO 4-LINK ASSEMBLIES

97000 Complete Modular 4-Link Flange Rear . . .7762.00  
3.812 bore H-D aluminum thirdmember with 40 spline steel spool, 9" Pro-gears, 50500 gun-drilled 40 spline flange axles, MW brakes with lightened rotors, 37" wheel to wheel and 20" 4 link centers standard. (Other widths available at extra charge) 160 Lbs.

99700 Complete Modular 4-Link Floater Rear . . .9194.00  
3.812 bore H-D aluminum thirdmember with 40 spline steel spool, 9" Pro-gears, gun drilled 40 spline axles, MW brakes with lightened rotors, 36-5/8" wheel to wheel and 20" aluminum 4-link brackets. (Other widths available at extra charge) 185 Lbs

97050 Complete Modular 4-Link Flange Rear . .10,227.00  
Same as 97000 but with MW carbon/carbon brakes.

99750 Complete Modular 4-Link Rear . . . . .11,665.00  
Same as 99700 but with MW carbon/carbon brakes.