

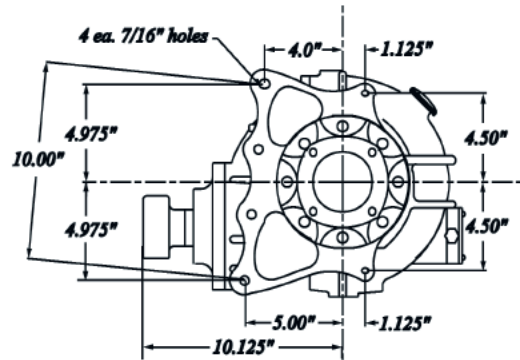
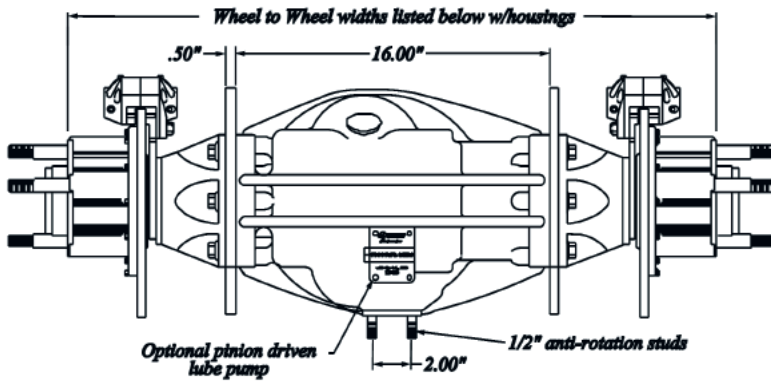
## 9" FULL FLOATER

MW's full floater 9" Ford Aluminum Modular assemblies meet the requirements of classes that must have full floating hubs. Complete assemblies, including a MW aluminum thirdmember, offer reliability and provide improved performance due to precise component alignment. Being a thirdmember type rear, it's a snap to change gear ratios. With the 9", 9-1/2" and 10" ring and pinions, the Modular is suited for Top Dragster, Competition and Bracket Class applications. Thirdmembers are now available with 9-1/2" and 10" diameter ring gear (in select ratios) for added strength.

The MW floater unit incorporates sealed ball bearings (self lubricating) for minimum drag. The Floater hubs are available with a 5" or 5-1/2" bolt circle. Complete rears include full floater assemblies with a one-piece axle, (standard width only) and a large pinion thirdmember. Steel or Carbon/Carbon Disc Brakes are available for superior stopping power along with substantial weight savings.



91000 Modular 9" Full Floater Assembly



## MODULAR 9" FLOATER HOUSINGS

94700-31 Modular Floating Housing w/Spindles . . .2446.00  
Housing with Series II spindles and 1/2" thick pocket-milled brackets (31 1/8" wheel to wheel).

94700-37 Modular Floating Housing w/Spindles . . .2715.00  
Housing with Series II spindles and 1/2" thick pocket-milled brackets (37 1/8" wheel to wheel).

94700-33 Modular Floating Housing w/Spindles . . .2652.00  
Housing with Series II spindles and 1/2" thick pocket-milled brackets (33 1/8" wheel to wheel). 50 lbs.

## MODULAR 9" FLOATER ASSEMBLIES

91700 Full Floating Mod. Aluminum Rear . . . . .7206.00  
Floater with 1/2" mount brackets for 5" x 5 or 5 1/2" x 5 B.C, complete with Series II spindles, 57010 thirdmember (any ratio), brake assembly with lightened discs, MW calipers, one-piece axle, width 33-1/8" wheel to wheel, assembly weight 164 lbs.

91750 Full Floating Mod. Aluminum Rear . . . . .9680.00  
Same as 91700 but with MW carbon/carbon brakes, assembly weight 152 lbs.

\*See pages 52 & 53 for pricing on non-standard width housings