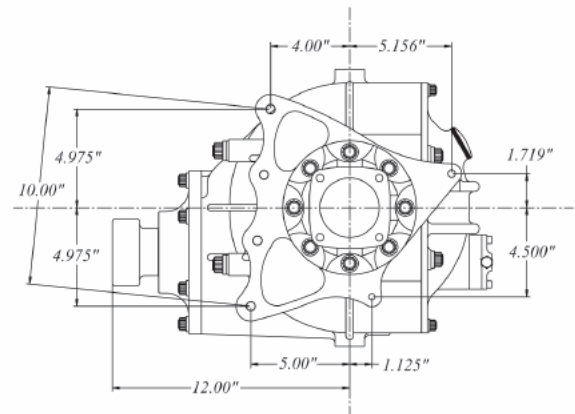
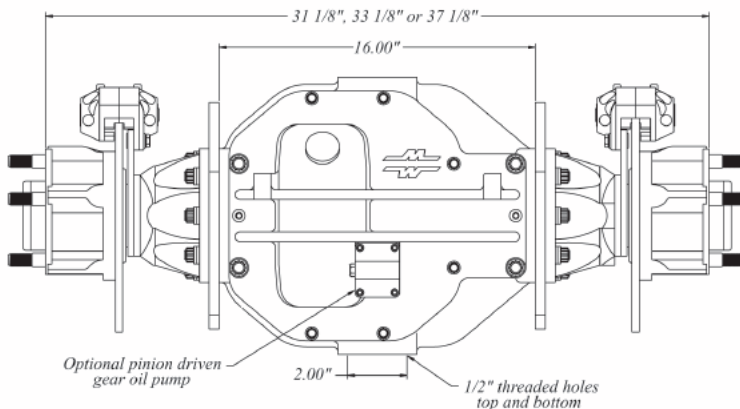


90055 Top Alcohol 11"  
Modular Assembly



The Mark Williams 11" Modular rear end has been designed to handle the harsh environment of today's Top Alcohol and Pro Modified cars. This assembly is based on a ring and pinion designed by Velvet Drive Products (the old Richmond Gear) and produced exclusively for Mark Williams Enterprises. Features include an 11" (12" pitch diameter) diameter ring gear and 40 spline pinion shaft. Gear ratios currently available are 2.91, 3.20, 3.89, 4.10, 4.29, 4.57 and 5.83. With current MW 9" modular users in mind, the center casting is 16" wide and has a 2.25" hypoid distance (same as a 9" Ford) to allow an easy conversion of any application currently using the MW 9" modular rear. The MW floater end bells, floater assembly and the axles two or one piece axle can all be used with the assembly. The unique design allows easy removal of the rear cover to inspect the ring gear, while the removable pinion support gives access to the pinion gear. With the beefy 11" gears, the use of premium materials and features carried over from the other MW race proven modular rears, the MW 11" offers unmatched strength and reliability.



## MODULAR 11" ASSEMBLIES

90000 11" Modular Center Section	9,470.00
<i>Fully assembled center section with MW 11" gear, 40 spline aluminum spool, ball-taper pinion support, coupler and hardware. Center section only, use this if you have an existing 9" modular rear and want to upgrade to an 11" gear.</i>	
90750 Complete 11" Modular Steel Brake Assembly	14,585.00
<i>Complete 90000 center section with MW 11" gear, 40 spline aluminum spool, ball-taper pinion support, coupler and hardware, and end bells. MW full floater with 40 spline axles. Aluminum solid mount brackets. Includes MW 4 piston calipers and lightened steel brake rotors. 210#</i>	
90755 Complete 11" Modular Carbon/Carbon Assembly	16,310.00
<i>Complete 90000 center section with MW 11" gear, 40 spline aluminum spool, ball-taper pinion support, coupler and hardware, and end bells. MW full floater with 40 spline axles. Aluminum solid mount brackets. Includes MW 4 piston calipers and carbon/carbon brake rotors and pads. 198#</i>	

See charts on pages 53 and 54 for solid mount widths and floater spindle combinations. Call for pricing on special widths and combinations.