

MWE 9-1/2" Low Friction Ford Thirdmembers

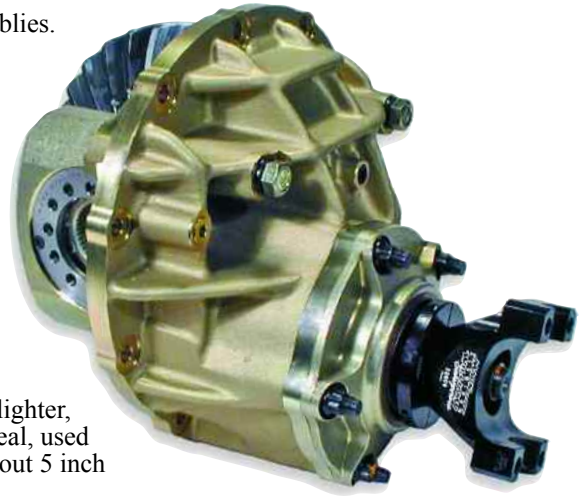
Special ratio Pro Gears are available in specially prepared thirdmember assemblies. These assemblies feature MW designed 9-1/2" ratios produced by Velvet Drive (formerly Richmond Gear).

The ratios available in the 9310 alloy 32 spline pinion are: 5.11, 5.14, 5.17, 5.20, 5.25, 5.29, 5.33, 5.38, 5.43 and 5.50. This assembly can also be built with standard 9" and 9-1/2" Small 28 spline Pinion Pro-Gear ratios utilizing the same components.

The assemblies feature the Supra-Fin™ processing that reduces friction and eliminates material transfer normally found in the break-in process. We also use a Sub-Zero thermo-treatment to eliminate the possibility of retained austenite. Most assemblies feature 9-1/2" diameter gear with a 32 spline input (the same size as transmissions) eliminating an obvious weak link in the drive system.

We use a ceramic dual opposed angular contact bearing pinion support that is lighter, while reducing friction and adding rigidity to the pinion. A low drag pinion seal, used in conjunction with our aluminum pinion yoke reduces the pre-load drag to about 5 inch pounds.

The proven MW Thru-Bolt case features the Sure-lock™ adjuster system that makes other retention methods obsolete and prevents adjuster back out. All units include a computer pickup ring with one, two or four magnets. Our expert assembly technician meticulously assembles each unit documenting all critical settings.

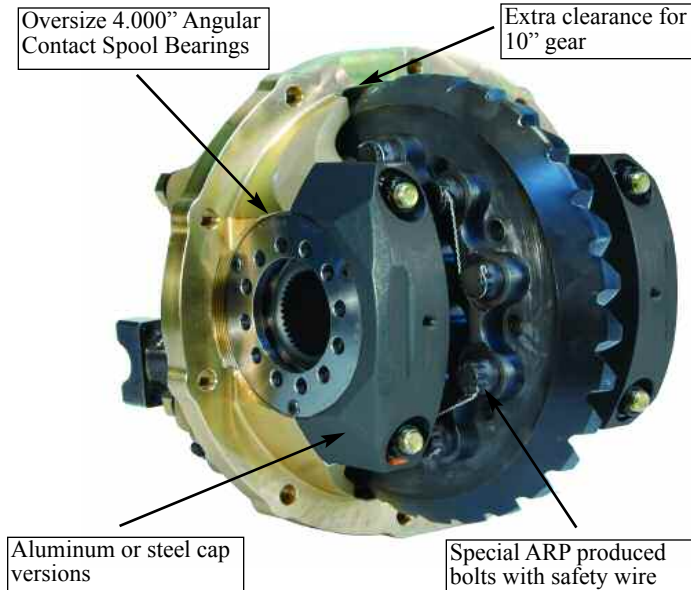


57022-XXX Low Friction 9-1/2" Thirdmember4275.00
 5.11 thru 5.50 Ratio, Sub-Zero, Supra-Fin treated 9-1/2" gears, specify ratio required. 32 spline input.

- POCKET LIGHTENED RING GEAR
- SUPRA-FIN™ FINISHED GEARS
- CERAMIC PINION SUPPORT BEARINGS
- ALUMINUM PINION YOKE
- LOW-FRICTION SEAL
- ALUMINUM 40 SPLINE SPOOL
- SURE-LOCK ADJUSTER SYSTEM
- 32 SPLINE PINION INPUT 9 1/2" GEAR
- SUB-ZERO TREATED RING AND PINION
- LOW DRAG ASSEMBLY PROCEDURES

57022 Low Friction 9" & 9-1/2" ThirdmemberPOA
 Units built with same component technology but ring and pinion gears will be 9" or 9-1/2" 28 spline input. 3.50 to 6.50 ratio 9310 gear. Prices vary with different ratios. Please call for pricing on specific ratios.

10" SEVERE SERVICE FORD THIRDMEMBER



The 10" ring and pinion gear sets have shown to dramatically increase gear life compared to 9" gears. Modifications have been made to the M/W Aluminum thru bolt, (V revision and later) case to accommodate the larger gears. Additionally the main bearing bores have been increased to a 4.000" diameter bore that is paired with special M-W angular contact ball bearings. Tests have shown that the angular contact bearings are better at deflection control than tapered roller bearings. Thirdmember assemblies are available with 3.70 to 6.20 gear ratios. More new ratios are currently in development. One option available is full ceramic ball bearings. These thirdmembers are a drop in fit for M/W Modular housings. Other housing may require clearance for the larger outside diameter gear.

57026 Thirdmember, 10" Pro Gear*3644.00
 10" ring and pinion, ball-taper support, steel caps, steel spool, 1480 or 1350 u-joint, 3.812" bore. Timken® bore tapered spool bearings

57027 Thirdmember, 10" Pro Gear*3892.00
 10" ring and pinion, ball-ball support, aluminum caps, steel or aluminum spool, 1480 or 1350 u-joint, angular contact 4" bore spool bearings

*Prices can vary due to different pricing of ring and pinion gears sets from various manufacturers

